

Thank you for choosing this Easy Fit Decking Kit from Savoy Timber.
PLEASE RETAIN FOR FUTURE REFERENCE: READ CAREFULLY!

Project Essentials: Sold Separately



DRILL



SAW



LEVEL



TAPE MEASURE



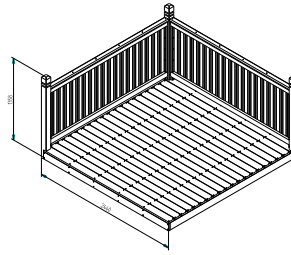
SCREWDRIVER



GOGGLES



DUST MASK



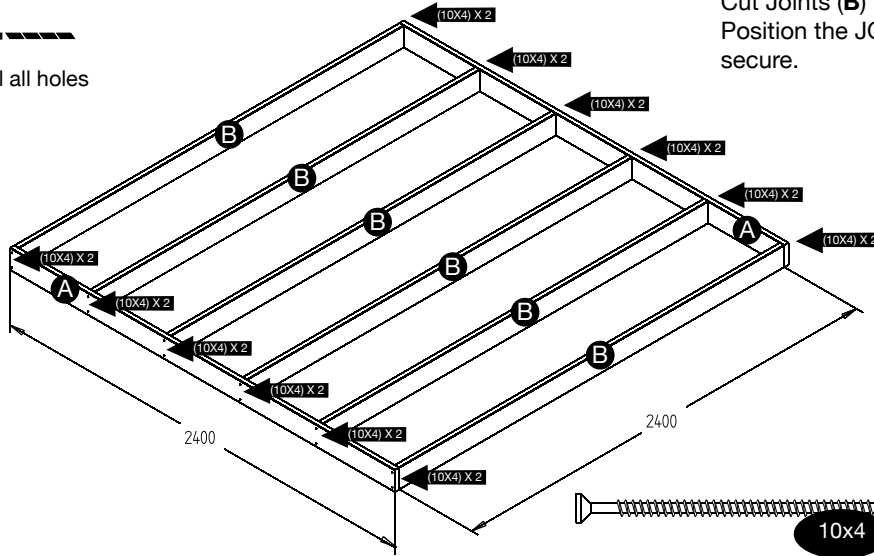
Important: Assembly of this Easy Fit Decking Kit requires two people. Assembly should take approx 1/2 a day.



STEP 1



Pre-drill all holes



Cut Joints (B) to suit decking kit size (e.g. 2.4m x 2.4m)
 Position the JOISTS equally from centre to centre and secure.

STEP 2

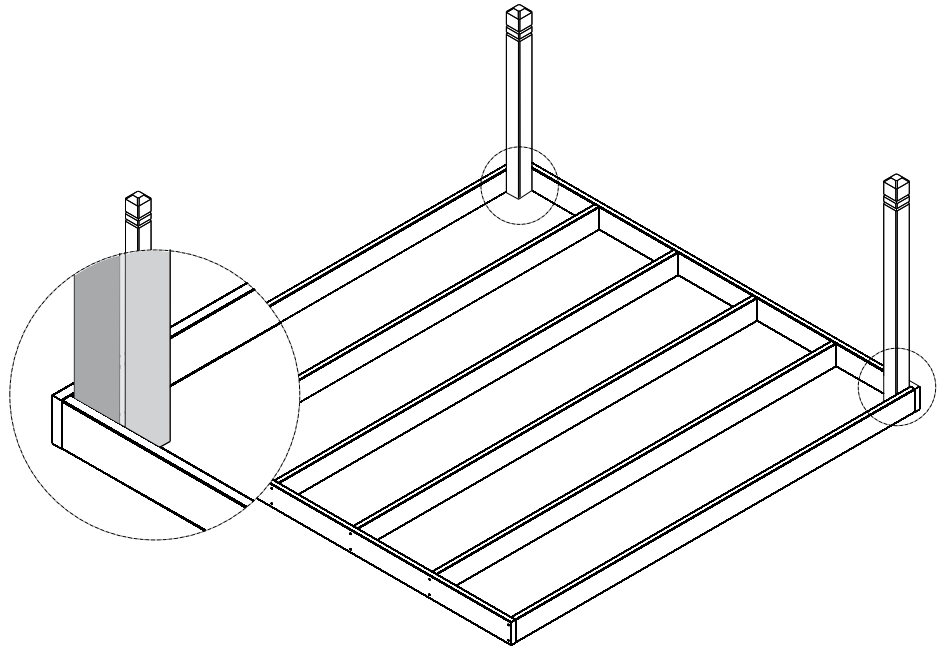
Go to step 3 if you are not fixing a handrail.



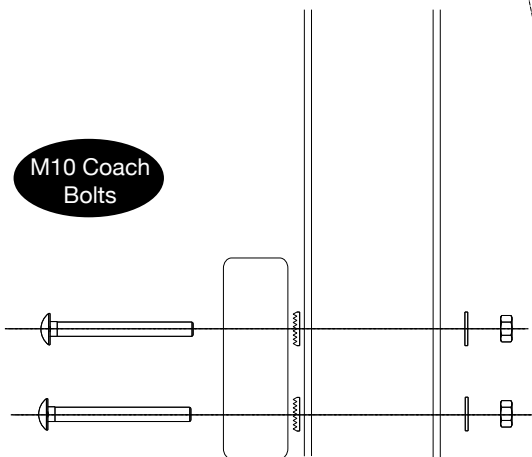
Pre-drill all holes

Position the NEWEL posts as shown on the inside of the base frame.

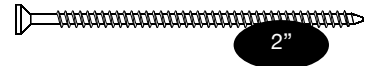
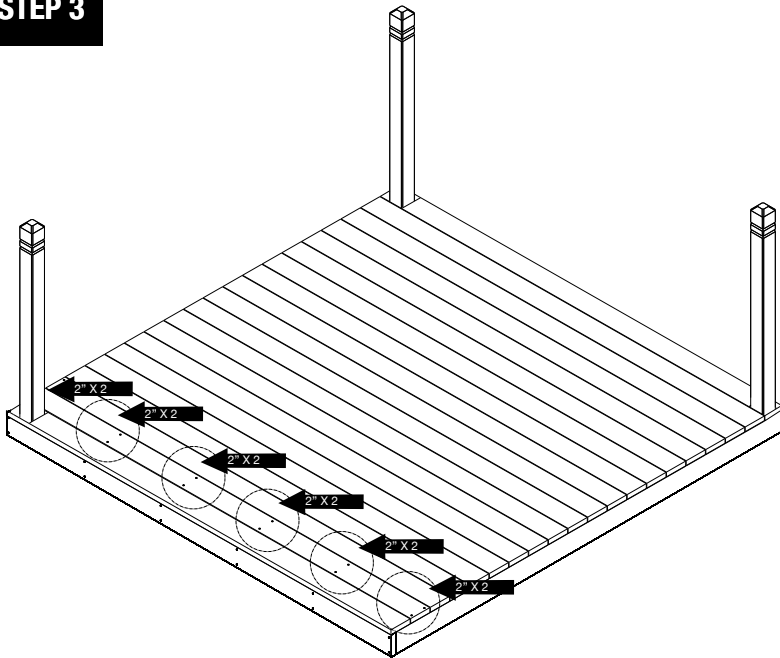
Secure using M10 Coach Bolts.



M10 Coach Bolts

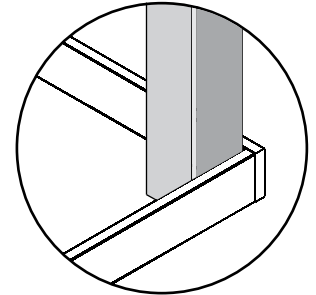
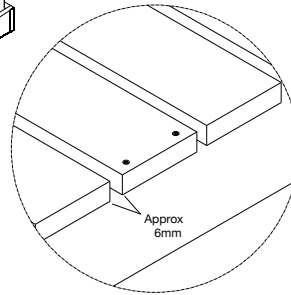


STEP 3

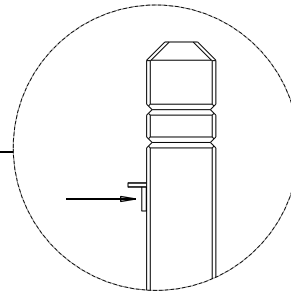
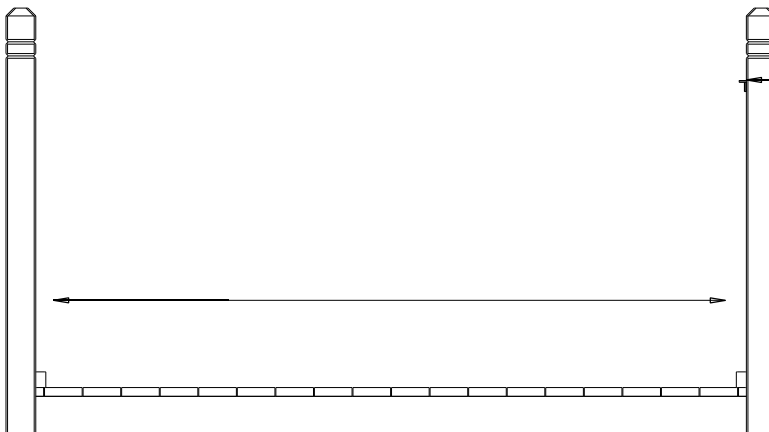


Position the DECKING BOARDS equally spacing them across the entire deck base. Secure to each supporting joist using 2 screws on each deck board.

If you are fitting a handrail and balustrade you will need to notch the first and last deck board around the newel post using a handsaw.



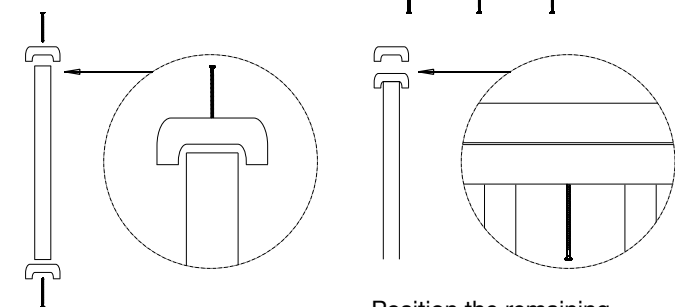
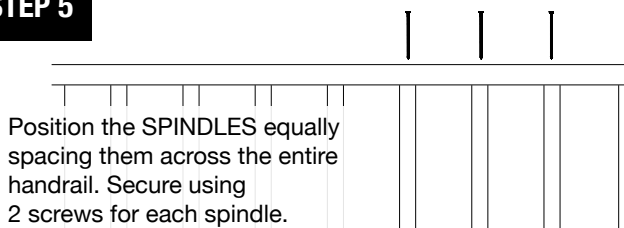
STEP 4



Position the HANDRAIL BRACKETS 930mm from the deck base and secure to newel.

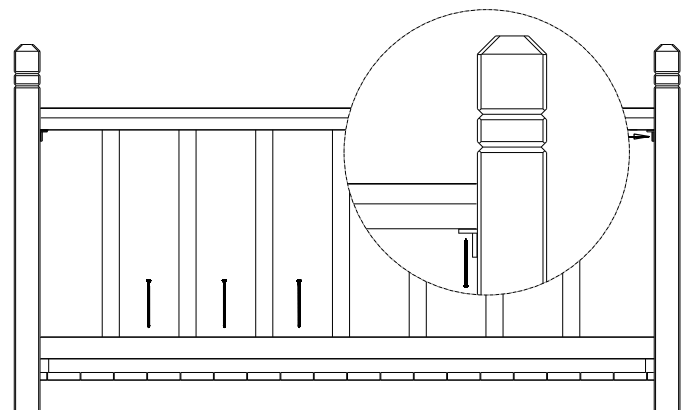
Measure between the newel posts and cut 3 equal lengths of HANDRAIL.

STEP 5



Position the remaining HANDRAIL on top and secure.

STEP 6



Secure the constructed BALUSTRADE to the handrail brackets and the decking boards as shown.